

TELESTE ACE 8

1.2 GHZ INTELLIGENT OPTICAL NODE

ACE8 is an intelligent node with one active output. It offers high output level (CTB/CSO 116/117 dB μ V) and supports 1.2 GHz/204 MHz bandwidth. Remote monitoring and control is possible via either DOCSIS or HMS/Catvisor protocol.



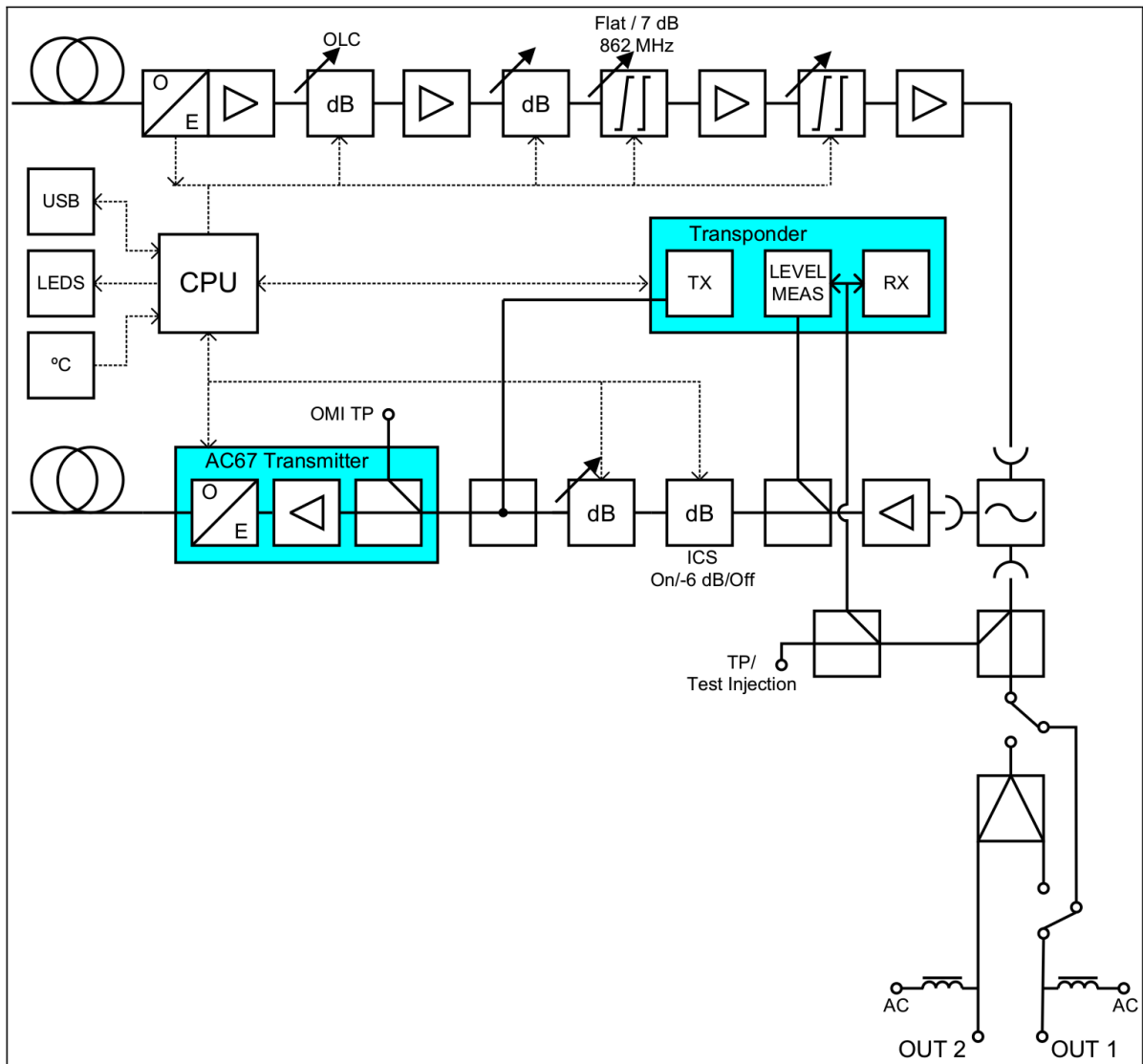
- Automatic alignment of both downstream and upstream
- 1.2 GHz GaN hybrid technology
- 204 MHz upstream
- Wide range of upstream laser technologies available
- Efficient surge and ESD protection
- Electrical level and slope controls
- 862 MHz operation mode
- Power supply with PFC
- With a transponder plug-in module: CATVisor / HMS or DOCSIS remote connection, Remote ingress switch control, ALC with fully user programmable pilots, Downstream spectrum analyser, Upstream signal quality monitoring with automatic ingress control, True plug-and-play with single pushbutton alignment, and Return path signal generator (AC6992)

SPECIFICATIONS

DOWNSTREAM SIGNAL PATH		
Light wavelength	nm	1290...1610
Optical input power range	dBm	-7...0
Frequency range	MHz	85...1218
Return loss	dB	18
Gain limited output level	dB μ V	118
Input gain control	dB	0...-20
Interstage gain control	dB	0...-19
Slope control	dB	0...18
Flatness	dB	\pm 0.5
Group delay	ns	2
Test point	dB	-20
Transponder connection	dB	-19
Noise current density	pA/ \sqrt Hz	6.0
Umax(112 QAM channels) @1.0 GHz	dB μ V	111.5
Umax(138 QAM channels) @1.2 GHz	dB μ V	108.5
CTB 41 channels	dB μ V	116.0
CSO 41 channels	dB μ V	117.0
UPSTREAM SIGNAL PATH		
Frequency range	MHz	5...204
Return loss	dB	18
Ingress switching	dB	0 / -6 / < -45
Input level	dB μ V	57
OMI adjustment	dB	0...-20
OMI test point	dB	-5
Transponder connection	dB	-37

GENERAL		
Power consumption	W	23
Supply voltage AC	V	27...65 / 205...255
Maximum current feed through	A	7.0 / port
Hum modulation	dB	70
Optical connectors		SC/APC, FC/APC, E-2000
Output connectors		PG11
Test point connectors		F female
Dimensions (h x w x d)	mm	170 (200) x 230 x 90
Weight	kg	2.3
Operating temperature	°C	-40...+55
Class of enclosure		IP 54
EMC		EN50083-2
ESD	kV	4
Surge	kV	6 (EN 60728-3)

BLOCK DIAGRAM



ORDERING INFORMATION

ACE8 configuration map

	1-			2-			3-	4-	5-			6-	7-	8-			9-	
	1	2	3	1	2	3	1	1	1	3	1	1	1	2	3	1	2	
ACE8				-			-	-			-	-	-			-		

1-1 Platform type A 1.2 GHz GaN C 1.2 GHz GaN, , ventilation hole closed	5-1 Return path transmitter 40 +1 dBm FP 1310 nm (AC6740) 41 +3 dBm CWDM 1430 nm (AC6741) 42 +6 dBm CWDM 1430 nm (AC6742) 43 +3 dBm CWDM 1450 nm (AC6743) 44 +6 dBm CWDM 1450 nm (AC6744) 45 +3 dBm DFB 1310 nm (AC6745) 46 +6 dBm DFB 1310 nm (AC6746) 47 +3 dBm CWDM 1470 nm (AC6747) 48 +6 dBm CWDM 1470 nm (AC6748) 49 +3 dBm CWDM 1490 nm (AC6749) 50 +6 dBm CWDM 1490 nm (AC6750) 51 +3 dBm CWDM 1510 nm (AC6751) 52 +6 dBm CWDM 1510 nm (AC6752) 53 +3 dBm CWDM 1530 nm (AC6753) 54 +6 dBm CWDM 1530 nm (AC6754) 55 +3 dBm CWDM 1550 nm (AC6755) 56 +6 dBm CWDM 1550 nm (AC6756) 57 +3 dBm CWDM 1570 nm (AC6757) 58 +6 dBm CWDM 1570 nm (AC6758) 59 +3 dBm CWDM 1590 nm (AC6759) 60 +6 dBm CWDM 1590 nm (AC6760) 61 +3 dBm CWDM 1610 nm (AC6761) 62 +6 dBm CWDM 1610 nm (AC6762) XX None
1-2 Power supply A Local powering, euro plug (230 VAC) B Remote powering with cable clamp (65 VAC) C Local powering, UK plug (230 VAC) D Remote powering with cable clamp (90 VAC)	5-3 Optical connector for transmitter A SC/APC, 9 deg. C E-2000 D SC/APC, 8 deg. F FC/APC > SC/APC adapter X None
1-3 Fiber organicing A Standard fibre organiser	6-1 Optical filter 1 F1 WDM filter 1310 / 1550 nm with 8 deg. SC/APC connectors (AC6570D) F2 WDM filter 1310 nm / CWDM with 8 deg. SC/APC connectors (AC6572D) XX None
2-1 Fibre feed-through adapter A 5/8 Adapter (KDC316) B 1-2 fibres (KDO900) X None	7-1 Transponder module E Transponder and ALSC module (AC6992) G DOCSIS transponder (AC6981) X None
2-2 Output 2 connection A PG11 B 5/8" C IEC D <input checked="" type="checkbox"/> 3.5/12 E F X None (PG11 sealing plug)	8-1 Communication protocol / application software X None A CATV/visor compatible B HMS/SNMP compatible C <input checked="" type="checkbox"/> Customer specific
2-3 Output 1 connection (first from right) A PG11 B 5/8" C IEC D <input checked="" type="checkbox"/> 3.5/12 E F	8-2 Settings X Factory default A Customer specified (ECML file)
3-1 Optical connector for receiver A SC/APC, 9 deg. C E-2000 D SC/APC, 8 deg. F FC/APC > SC/APC adapter	8-3 Product keys (software features) X None C Auto alignment, spectrum and ingress analyser, pilot generator
4-1 Diplexer A 65/85 MHz (CXF065) B 85/105 MHz (CXF085) C 204/258 MHz (CXF204) X None	9-1 Installation manual X None A Manual
	9-2 Customer specific selections B <input checked="" type="checkbox"/> Customer specific option W <input checked="" type="checkbox"/> Customer specific option X None